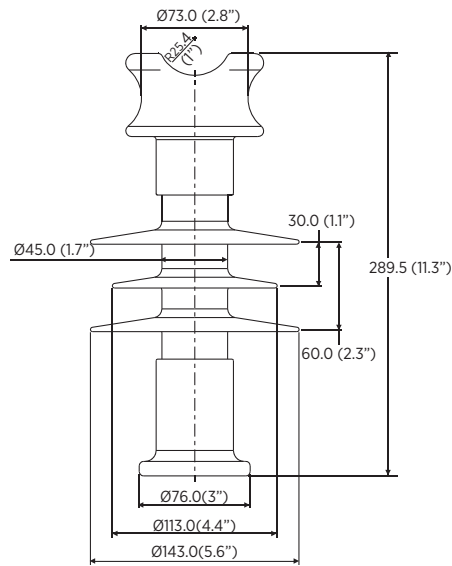




# LINE POST POLIMÉRICO

## Polymer distribution line post insulators



**PL0150011**

| NÚMERO DE CATÁLOGO                  | PL0150011 |
|-------------------------------------|-----------|
| ANSI (C29.18)                       |           |
| Clase                               | 51-1F     |
| Cuello                              | F         |
| DISTANCIAS CRÍTICAS, mm             |           |
| Distancia de arco                   | 165       |
| Distancia de fuga                   | 350       |
| VALORES ELÉCTRICOS, kV              |           |
| Voltaje nominal                     | 15        |
| Flameo de baja frecuencia en seco   | 85        |
| Flameo de baja frecuencia en húmedo | 55        |
| Flameo crítico al impulso positivo  | 150       |
| Flameo crítico al impulso negativo  | 155       |
| VALORES MECÁNICOS, kN               |           |
| SCL                                 | 12.4      |
| MDCL                                | 6.0       |
| STL                                 | 22.2      |
| RADIO INFLUENCIA                    |           |
| Voltaje de prueba RMS a tierra kV   | 10        |
| RIV máximo a 1,000 kHz, $\mu$ V     | 4         |
| DIMENSIONES SEGÚN ESQUEMA           |           |
| Tamaño nominal de la rosca          | 3/4"      |

**Nota:** Medidas en mm (pulgadas).  
**Cubierta:** Silicona "high voltage" vulcanizada a alta temperatura.  
**Herrajes:** Acero galvanizado en caliente.

| CATALOG NUMBER                                | PL0150011 |
|---|-----------|
| ANSI (C29.18)                                 |           |
| Class   | 51-1F     |
| Neck type                                     | F         |
| CRITICAL DISTANCES, mm                        |           |
| Arcing distance                               | 165       |
| Leakage distance                              | 350       |
| ELECTRICAL VALUES, kV                         |           |
| Rated voltage                                 | 15        |
| Low-frequency dry flashover                   | 85        |
| Low-frequency wet flashover                   | 55        |
| Critical impulse flashover, positive          | 150       |
| Critical impulse flashover, negative          | 155       |
| MECHANICAL VALUES, kN                         |           |
| SCL   | 12.4      |
| Maximum density cantilever load               | 6.0       |
| Tensile strength                              | 22.2      |
| RADIO INFLUENCE VOLTAGE DATA                  |           |
| Low-frequency test voltage, RMS to ground, kV | 10        |
| Maximum RIV at 1,000 kHz, $\mu$ V             | 4         |
| DIMENSIONS ACCORDING TO DRAWING               |           |
| Center hole nominal thread size               | 3/4"      |

**Note:** Dimensions in mm (in).  
**Housing:** High voltage silicone - High temperature vulcanized (HTV).  
**Fittings:** Hot dip galvanized steel.